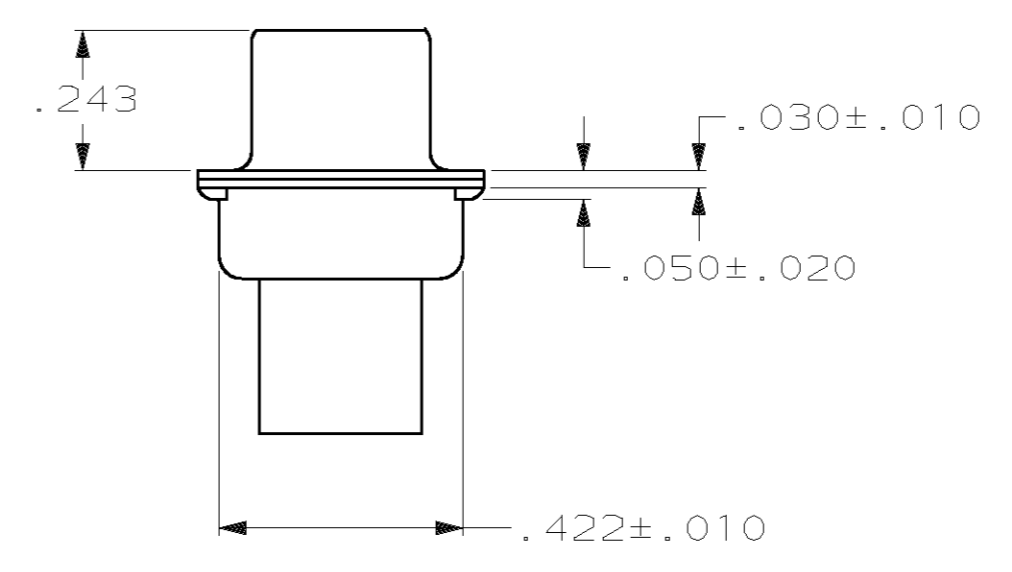
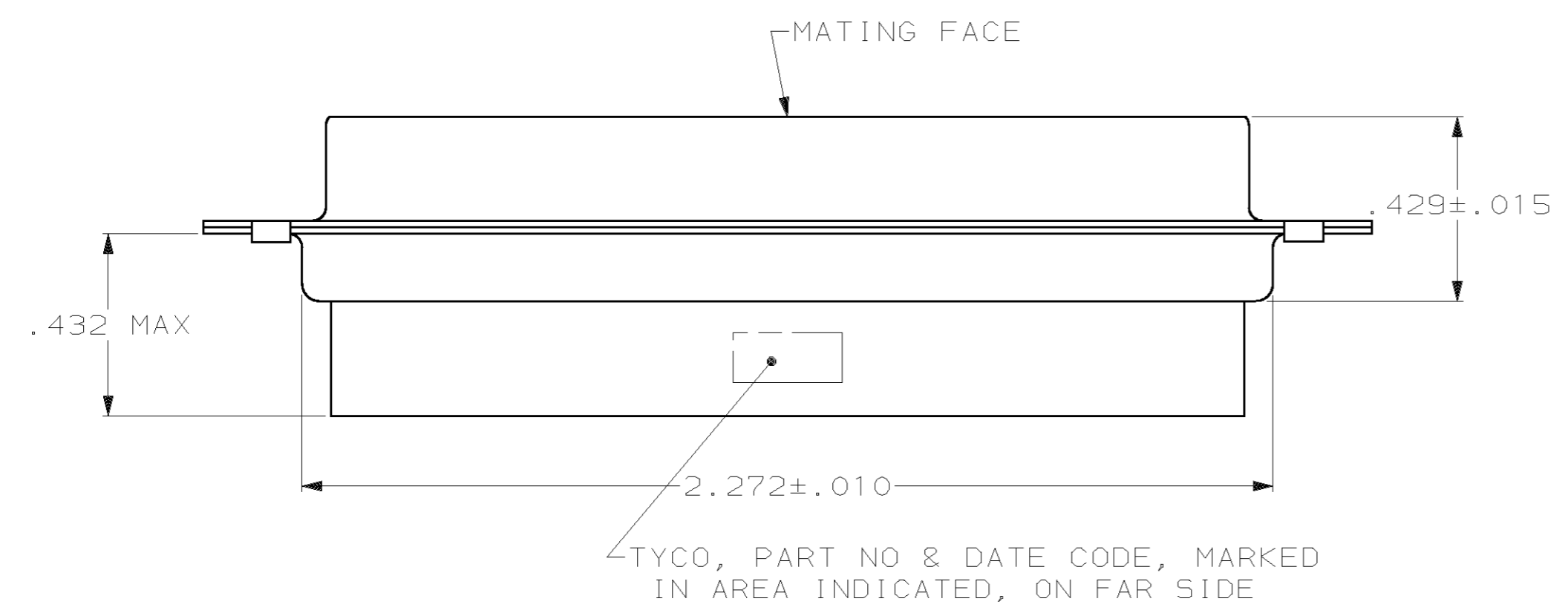
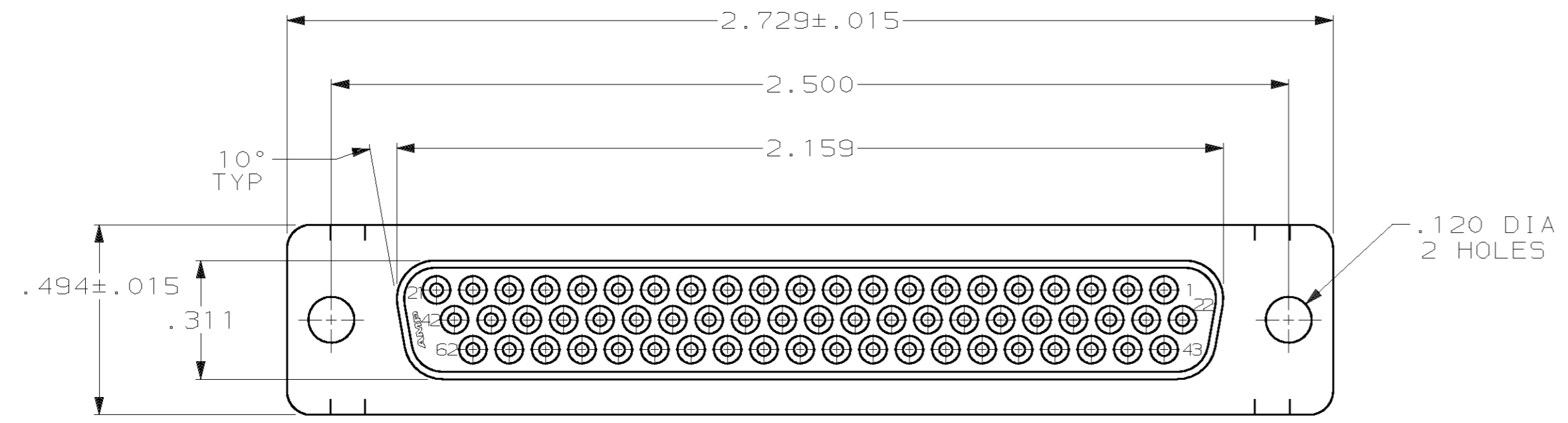


THIS DRAWING IS UNPUBLISHED. RELEASED FOR PUBLICATION
 (C) COPYRIGHT 19 BY AMP INCORPORATED. ALL RIGHTS RESERVED.

LOC	DIST	REVISIONS					
GP	00	P	LTR	DESCRIPTION	DATE	DWN	APVD
		0		RELEASED PER EC 0513-0209-03	02 JAN 04	LB	5B



1. CONNECTOR ACCEPTS 22 DF SOCKET CONTACTS, RETENTION TINES ARE AN INTEGRAL PART OF INSERT.
2. FLAME RETARDANT 94V-0 RATED GLASS FILLED NYLON, COLOR: BLACK.
3. CARBON STEEL.
4. .000200 MIN. TIN PLATE OVER .000100 MIN. COPPER UNDERPLATE.

1658684-1
 PART NUMBER

THIS DRAWING IS A CONTROLLED DOCUMENT.		DWN L. BAUM 02JAN04	AMP Incorporated Harrisburg, PA 17105-3608	
DIMENSIONS: INCH		CHK S. BOLASH 02JAN04	NAME RECEPTACLE ASSEMBLY, SIZE 4, 62 POSN, HDP-22, AMPLIMITE®	
TOLERANCES UNLESS OTHERWISE SPECIFIED:		APVD M. WALMSLEY 02JAN04	PRODUCT SPEC 108-1268	
0 PLC ±-		APPLICATION SPEC 114-10001		
1 PLC ±-		SIZE A2		
2 PLC ±-		CAGE CODE 00779		
3 PLC ±.005		DRAWING NO 1658684		
4 PLC ±-		RESTRICTED TO -		
ANGLES ±2°		SCALE 3:1		
MATERIAL	FINISH	SHEET 1 OF 1		
MOLDED PARTS: △	SHELLS: △	REV 0		
SHELLS: △		CUSTOMER DRAWING		